



Co-Pack POS Display Matrix

Full Pallet Wrap

This POS can be supplied as a flat-packed unit which is then assembled in-store around an existing pallet of stock, or in some cases **can designed** to travel on a full sized pallet **with** pre-filled with stock to store.



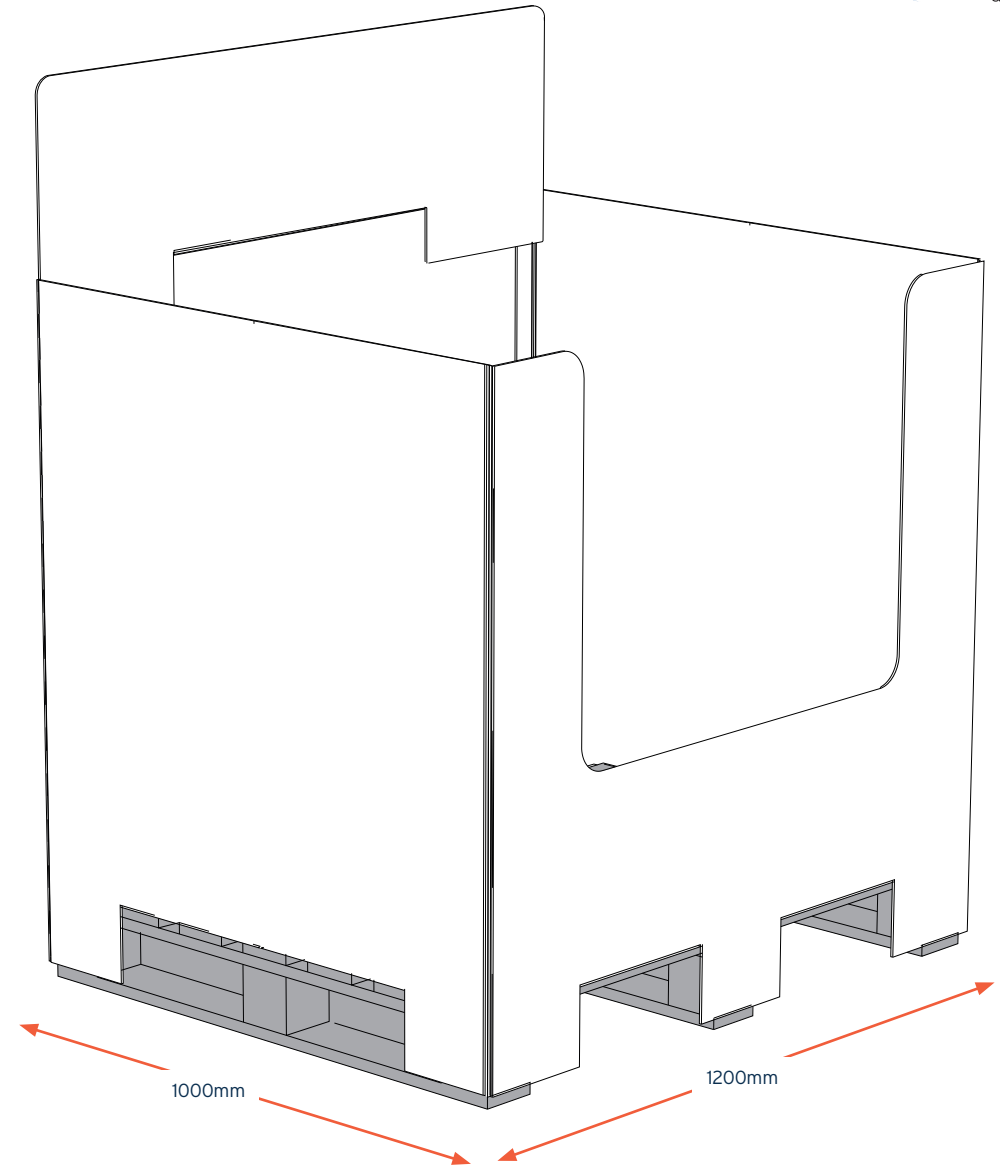
Display Dimensions:

W1200mm x H1000mm

Max Height and Weight restrictions vary by retailer

Retailer Suitability	Variants	Brand & Promotional Visibility	Securing the Space
All Retailers	Dump Bin	•	
Improved Conformance	Customer Experience	Transit Friendly	Sustainable Solution
	•		•

Please get in touch with the team Copack@dcsgroup.com for more information



Half Display Pallet Shipper

This unit is designed to travel pre-filled with stock on a half-size pallet (800x600mm) direct to store.

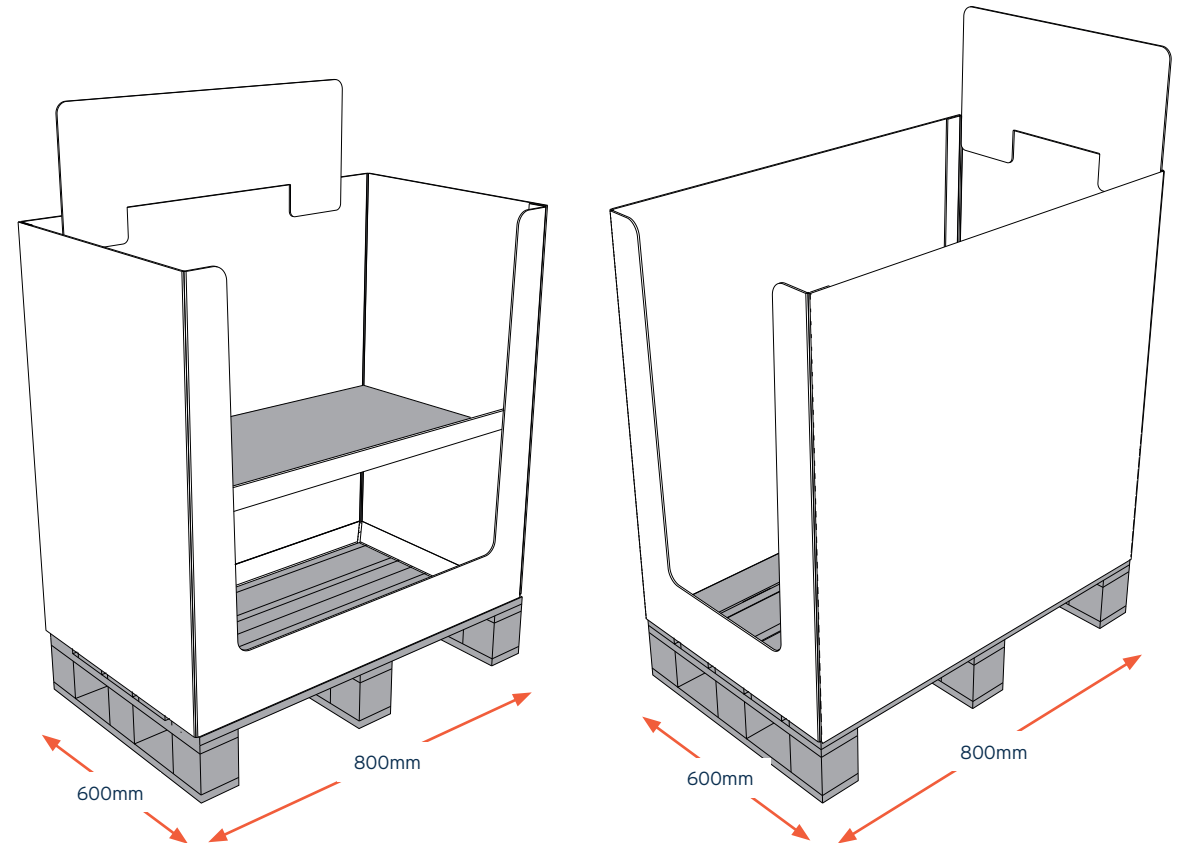
Display Dimensions:

W800mm x H600mm

Max Height and Weight restrictions vary by retailer

Retailer Suitability	Variants	Brand & Promotional Visibility	Securing the Space
All Retailers	Dump Bin or Shelved	•	•
Improved Conformance	Customer Experience	Transit Friendly	Sustainable Solution
•	•	•	•

Please get in touch with the team Copack@dcsgroup.com for more information



Quarter Display Pallet Shipper

As our most popular Shipper format, this display offers maximum versatility across a range of products.

A Quarter Pallet Display (QDP) can be designed and supplied as a flat-packed solution, but for maximum compliance and ease, these displays travel brilliantly as a pre-filled solution, shipped direct to store or warehouse.

These displays can be designed to stand directly on the shop floor or affixed to a quarter display pallet for ease of distribution and manoeuvrability once in store.

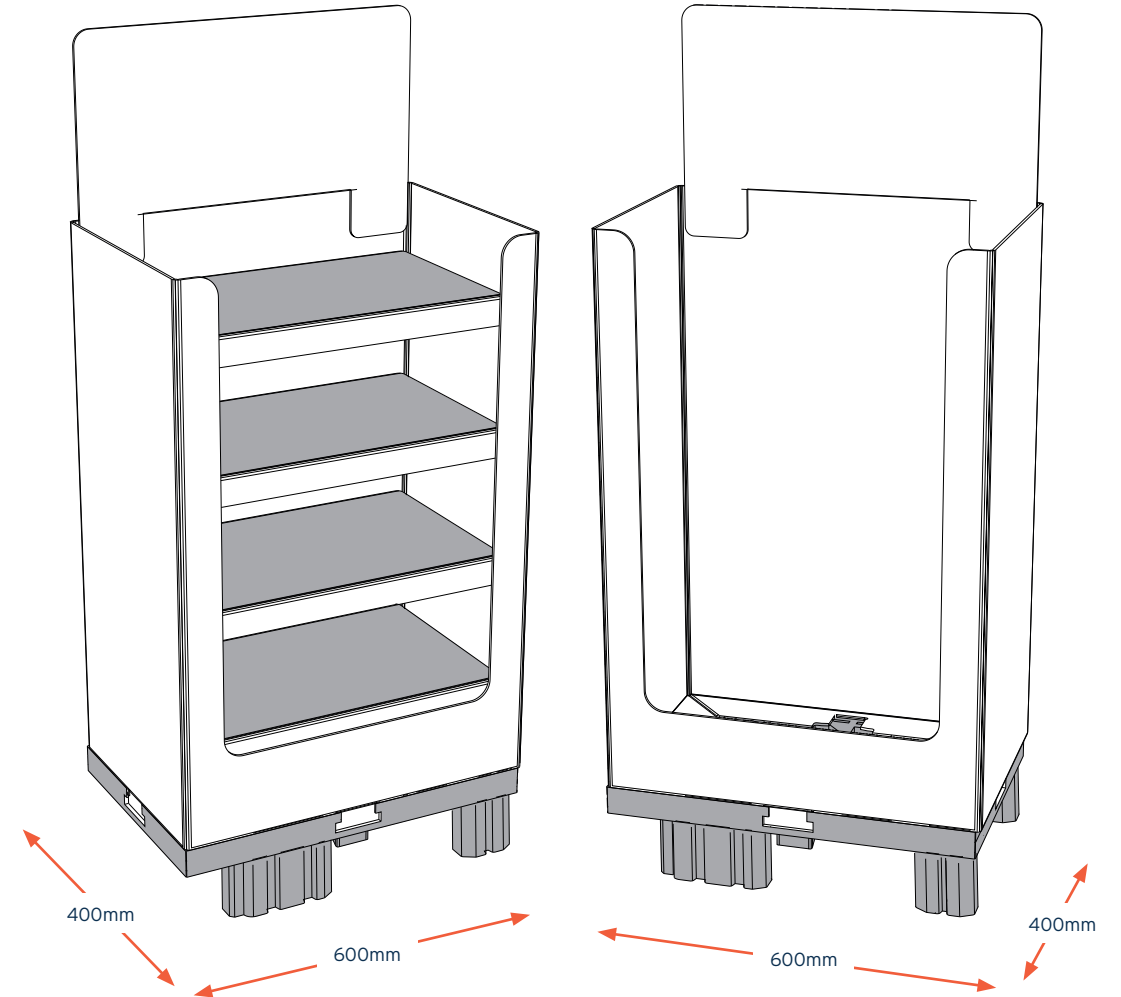
Display Dimensions:

W600mm x H400mm

Max Height and Weight restrictions vary by retailer

Retailer Suitability	Variants	Brand & Promotional Visibility	Securing the Space
All Retailers	Dump Bin or Shelved	•	•
Improved Conformance	Customer Experience	Transit Friendly	Sustainable Solution
•	•	•	•

Please get in touch with the team Copack@dcsgroup.com for more information



Bespoke FSDU

Made-to-measure shelved FSDUs may be suited to retailers with restricted floor space or looking for a solution for product with a smaller footprint.

These can be supplied direct to store flat-packed or pre-filled.

Manual handling guidelines dictate that stock holding within these displays should not exceed 23kg.

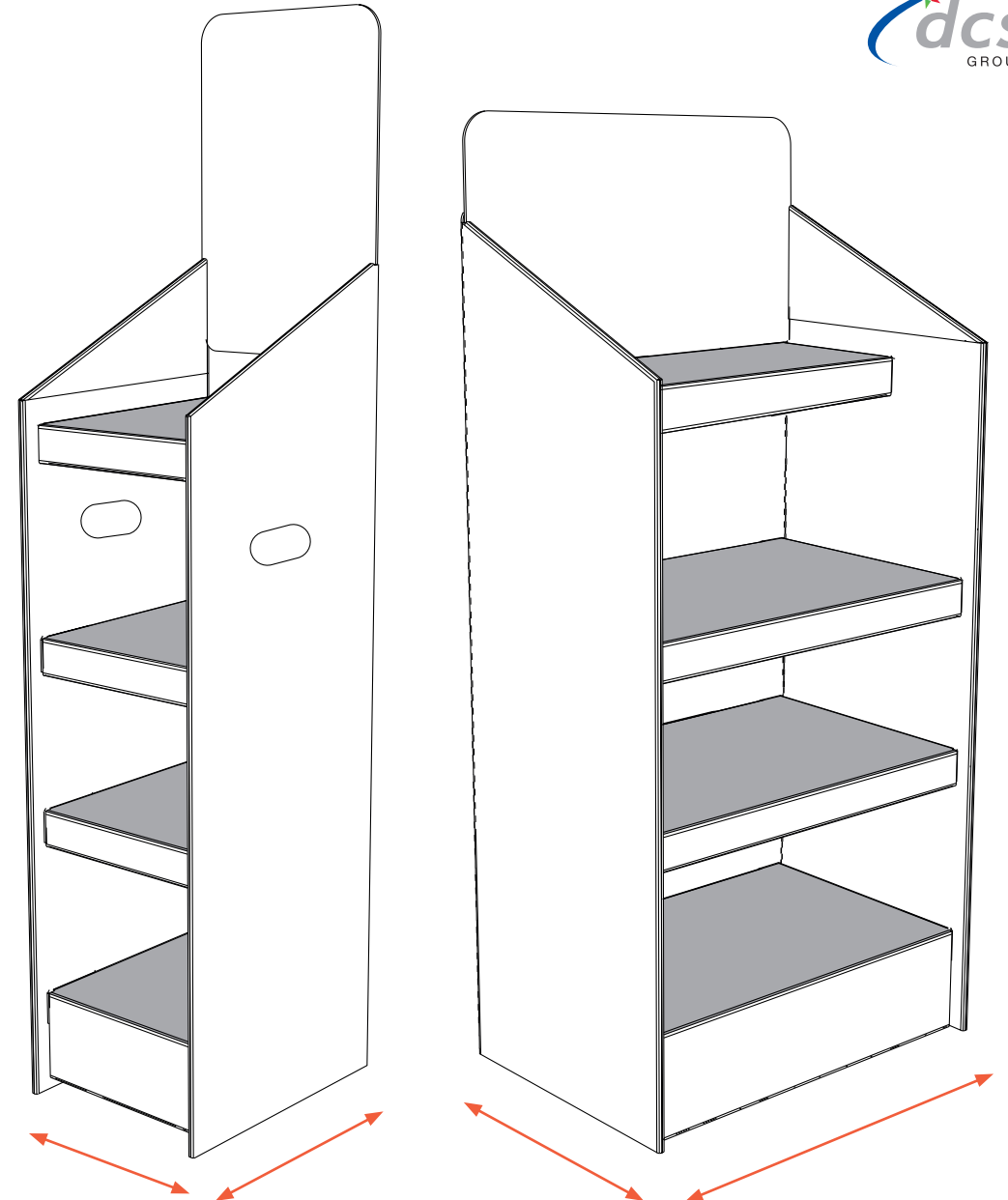
Display Dimensions:

Bespoke

Max Height and Weight restrictions vary by retailer

Retailer Suitability	Variants	Brand & Promotional Visibility	Securing the Space
All Retailers	Shelved	•	•
Improved Conformance	Customer Experience	Transit Friendly	Sustainable Solution
•	•	•	•

Please get in touch with the team Copack@dcsgroup.com for more information



Front of Store

Front of Store POS is designed to create maximum disruption and theatre at the shoppers first point of purchase in-store.

The Front of Store area is a highly competitive arena and therefore use of movement, light and sound can help increase positive engagement around a brands promotion.

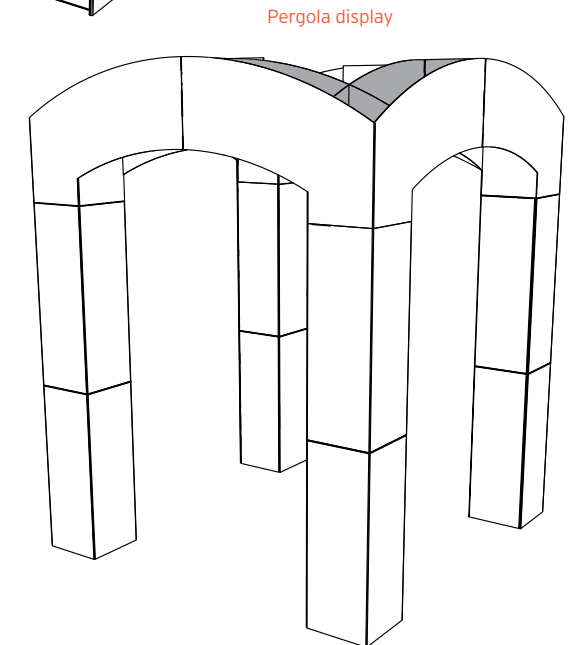
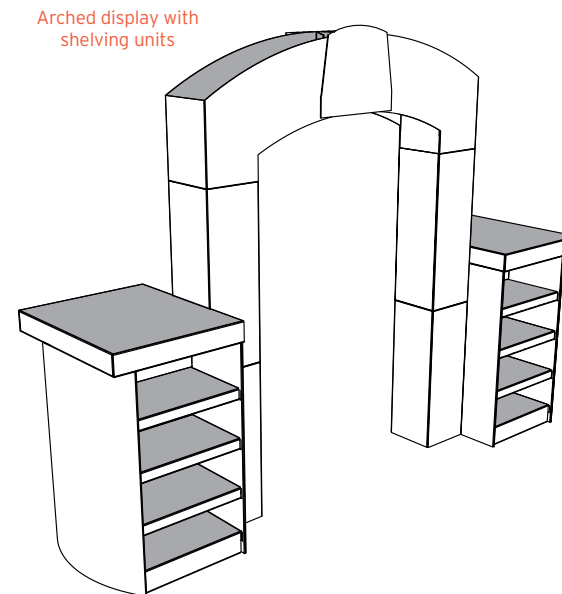
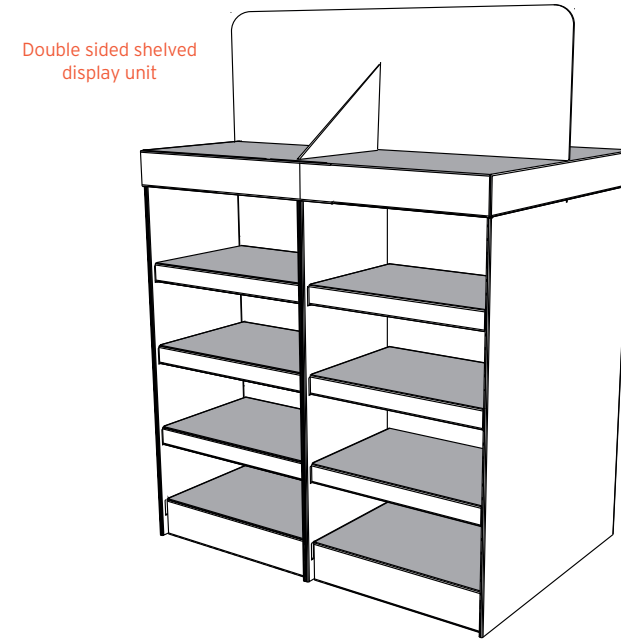
Due to the complexity of these displays, these are typically delivered to store as flat-packed components and then merchandised in-location.

Display Dimensions:

Bespoke

Retailer Suitability	Variants	Brand & Promotional Visibility	Securing the Space
Large Retailers & Wholesale	To Brief	•	•
Improved Conformance	Customer Experience	Transit Friendly	Sustainable Solution
	•		

Please get in touch with the team Copack@dcsgroup.com for more information



Impulse POS

Due to their smaller footprint size, impulse displays can be utilised in various retail channels, however they are most frequently used in the convenience industry. These can be delivered flat-packed or pre-filled to the store and come as floorstanding, countertop, or hanging units.

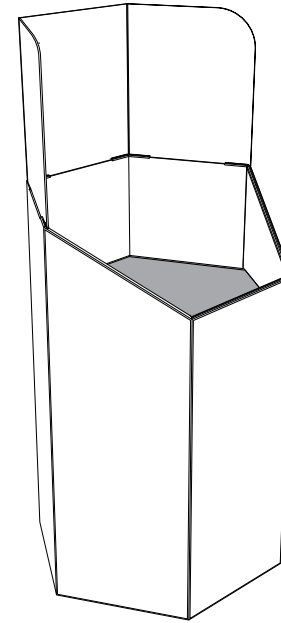
Display Dimensions:
Bespoke

Retailer Suitability	Variants	Brand & Promotional Visibility	Securing the Space
All Retailers	To Brief	•	•
Improved Conformance	Customer Experience	Transit Friendly	Sustainable Solution
•	•	•	•

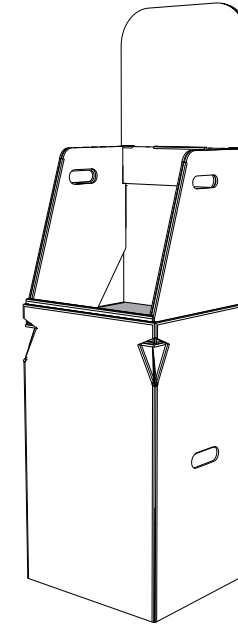
Please get in touch with the team Copack@dcsgroup.com for more information



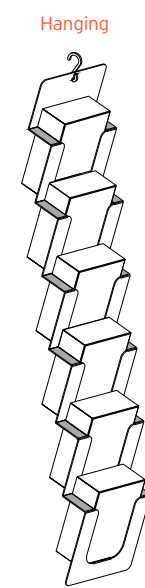
Hexagonal dump bin



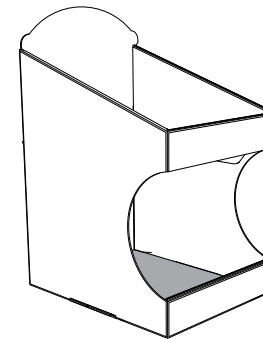
Cubed dump bin



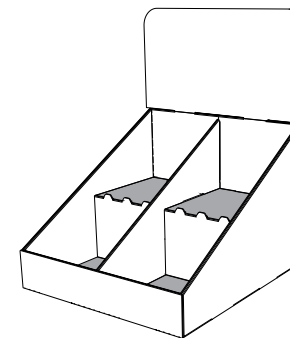
Hanging



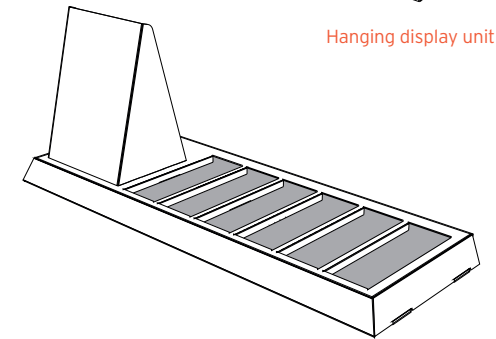
Hanging display unit



Tiered CDU



Staggered tier CDU



Slotted display tray

Marketing POS

Marketing POS is used to boost the impact of in-store promotions by highlighting a brands on-shelf presence. This type of POS includes anything from 'shelf strips' and 'bus stops' to 'Standee's', 'header boards' and posters.



Display Dimensions:

Bespoke

Retailer Suitability	Variants	Brand & Promotional Visibility	Securing the Space
All Retailers	To Brief	•	
Improved Conformance	Customer Experience	Transit Friendly	Sustainable Solution
	•		•

